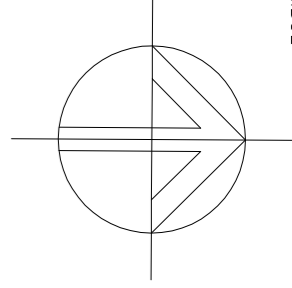
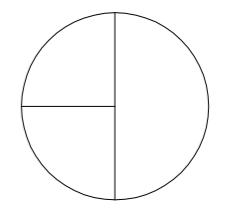


ISO CHECKLIST
 3002 H2-001
 DATE
 10-01
 CHECKED BY
 J.C.

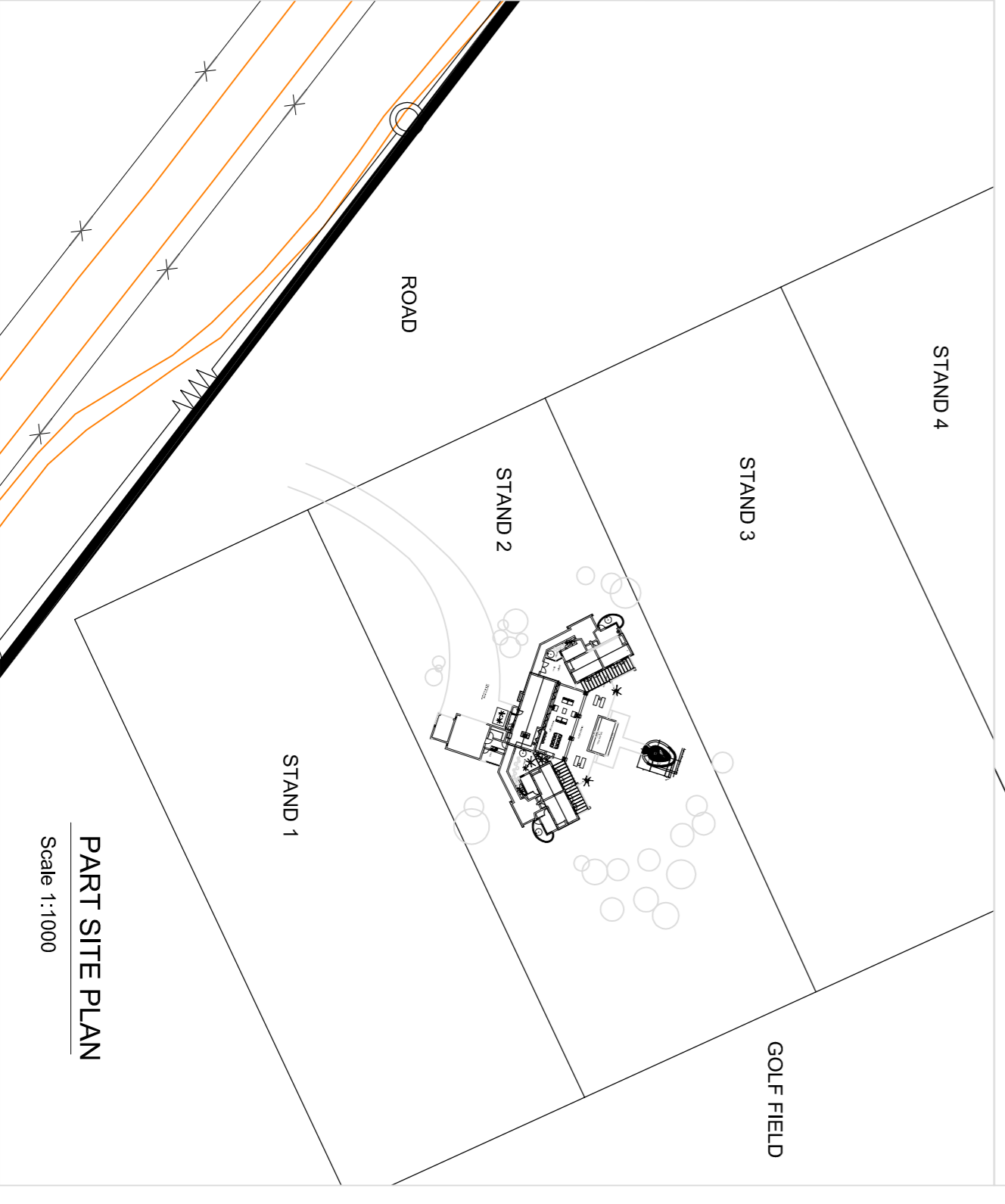
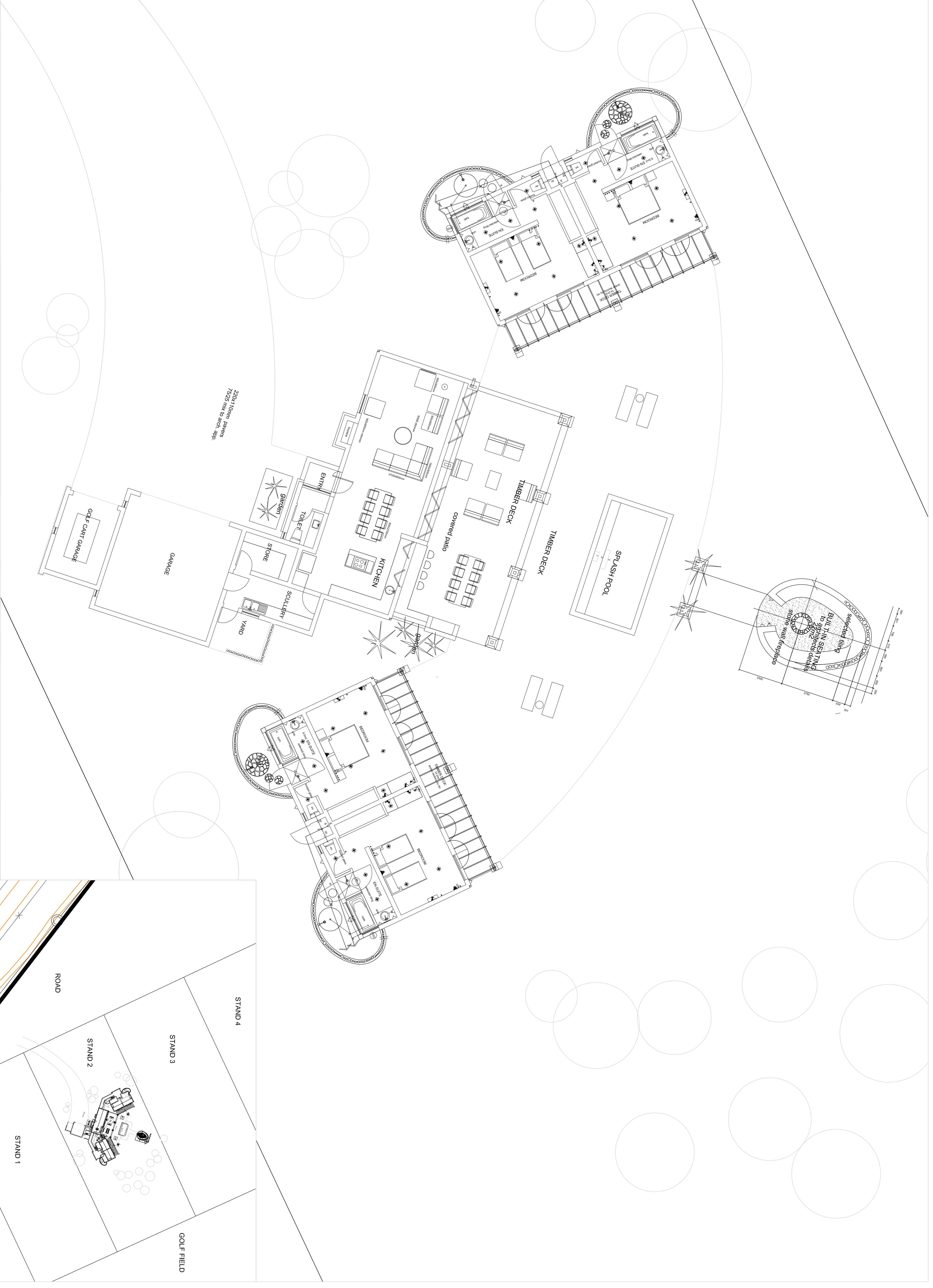



GENERAL NOTES

1. THIS DRAWING IS TO BE READ IN CONJUNCTION WITH THE PRELIMINARY PLANNING PERMISSIONS.
2. ANY DISCREPANCIES TO BE REPORTED TO THE ARCHITECTS PRIOR TO WORK COMMENCING.
3. DRAWINGS TO BE READ IN CONJUNCTION WITH ROOM DATA SHEETS.
4. THIS DRAWING TO BE READ IN CONJUNCTION WITH THE PRELIMINARY PLANNING PERMISSIONS.
5. CONSTRUCTION WITH CONSULTANTS DRAWINGS.
6. THIS DRAWING MUST NOT BE SCALED.

REVISIONS

No	DATE	DESCRIPTION
0	26/03/08	ISSUED FOR APPR.



ground floor plan

Scale 1:100

TC DESIGN ARCHITECTS
 Reg. number: 1978227707
 139 Oxford Road
 Posenham 1035
 Houghton 2041
 Fax +27 11 442 4144
 Tel +27 11 442 4144
 E-mail www.tcdesign

ERF
2
ELEMENTS
HOUSE

PROJECT
 Proposed new house
 for Elements Development

Construction drawings
Proposed site layouts

PROJECT NUMBER
3002 H2-001

SCALE
 as shown

DATE
 JC

DRAWN
 SK

STATUS